

The Next Generation in Finishing



Industry First

The AGMD is the only true quick disconnect spray gun available in the automotive finishing market. This patented product is available in either conventional air atomization or HVLP atomization technology.

Proven Components

AGMD uses the "industry standard" DeVilbiss line of atomization components.

Performance Features

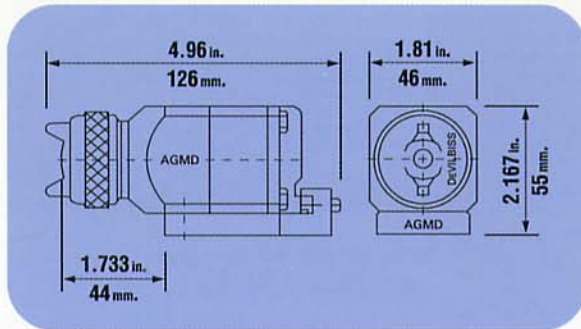
- Suitable for Solvent Based and Waterborne Materials
- No Tools Required for Gun Change-Out
- Positive Air Cap Positioning
- Available Material Circulation Through Spray Head
- Certified Air Caps
- Compact Design
- Independent Fan and Atomization Control

Available Mounting Configurations

- AGMD Machine Adapter
- AGMD Single Head Robot
- AGMD Dual Head Adapter
- AGMD 60° or 90° Head Angles
- ABB or Fanuc Robot Compatible

Product Benefits

- Consistent, Quality Spray Patterns
- Significantly Reduced Down Time
- Minimum In-Booth Maintenance Required
- Proven Performance and Technology
- Q.D. Feature Allows for Spray Head Removal in a Matter of Seconds



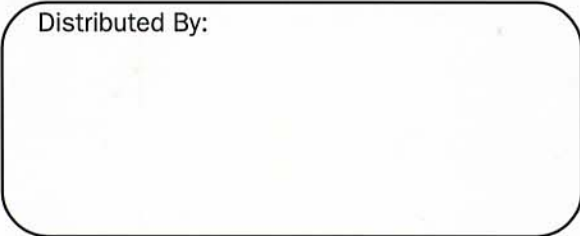
Max. Operating Pressures

Fan & Atom- 100 PSI/ 7 BAR

Cylinder Air- 100 PSI/ 7 BAR

Fluid Pressure- 200 PSI/ 14 BAR

Distributed By:



ITW Authorized Automotive Supplier for Binks, DeVilbiss, Gema, Hosco, and Ransburg Finishing Equipment



ITW Automotive Finishing Group

An Illinois Tool Works Company
48152 West Road
Wixom, MI 48393
Phone: (248) 668-8900
Fax: (248) 668-2160